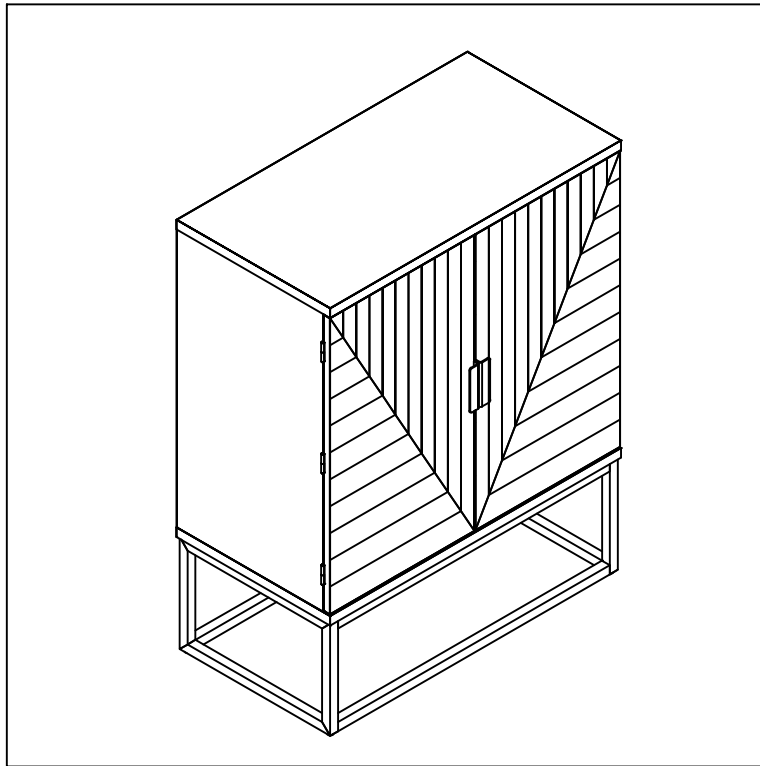


# WORLD MARKET®

## Assembly Instructions

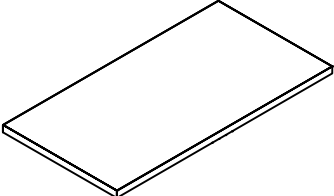
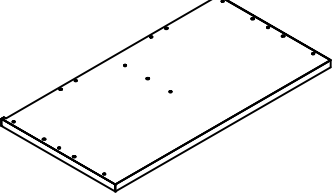
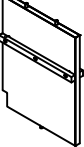
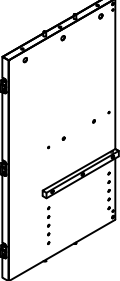
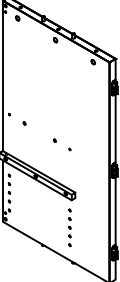
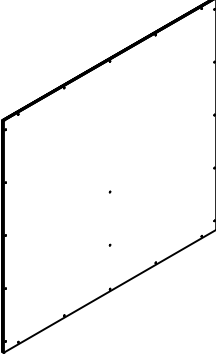
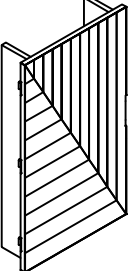
### Caspian Bar SKU - 608163



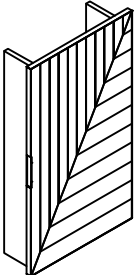
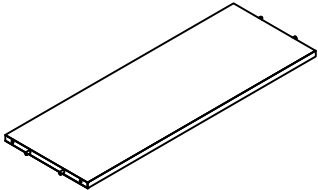

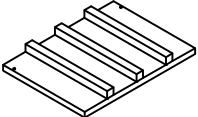
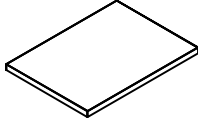
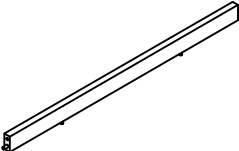
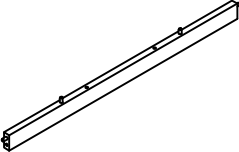

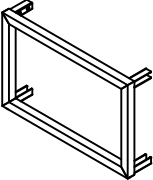
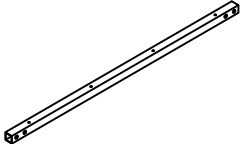
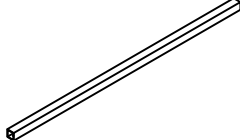
THANK YOU FOR YOUR PURCHASE. IF YOU HAVE ANY QUESTIONS  
PERTAINING TO THE ASSEMBLY OF THIS FURNITURE PIECE, PLEASE CONTACT  
THE NEAREST WORLD MARKET STORE  
IF YOU ARE NOT NEAR A STORE PLEASE CALL OUR CUSTOMER SERVICE CALL  
CENTER TOLL FREE AT 877-967-5362 FOR ASSISTANCE.

All products sold at World Market are not for commercial use and are intended for residential use only.


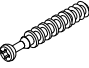

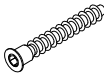








# Component List

LABEL	PICTURE	DESCRIPTION	Q.TY
A		Top Frame	1
B		Bottom Frame	1
C		Divider Frame	1
D-1		Left Side Frame	1
D-2		Right Side Frame	1
E		Back Frame	1
F-1		Left Door Frame	1



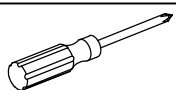
# Component List

LABEL	PICTURE	DESCRIPTION	Q.TY
F-2		Right Door Frame	1
G		Fixed Shelf	1
H		Handle	2
I		Removable Shelf	2
J		Adjustable Shelf	1
K		Top Back Rail	1
L		Bottom Back Rail	1
M		Glassware Hanging Rail	1
N		Base Side Frame	2
O		Base Top Frame	2
P		Base Bottom Frame	2

# Hardware List

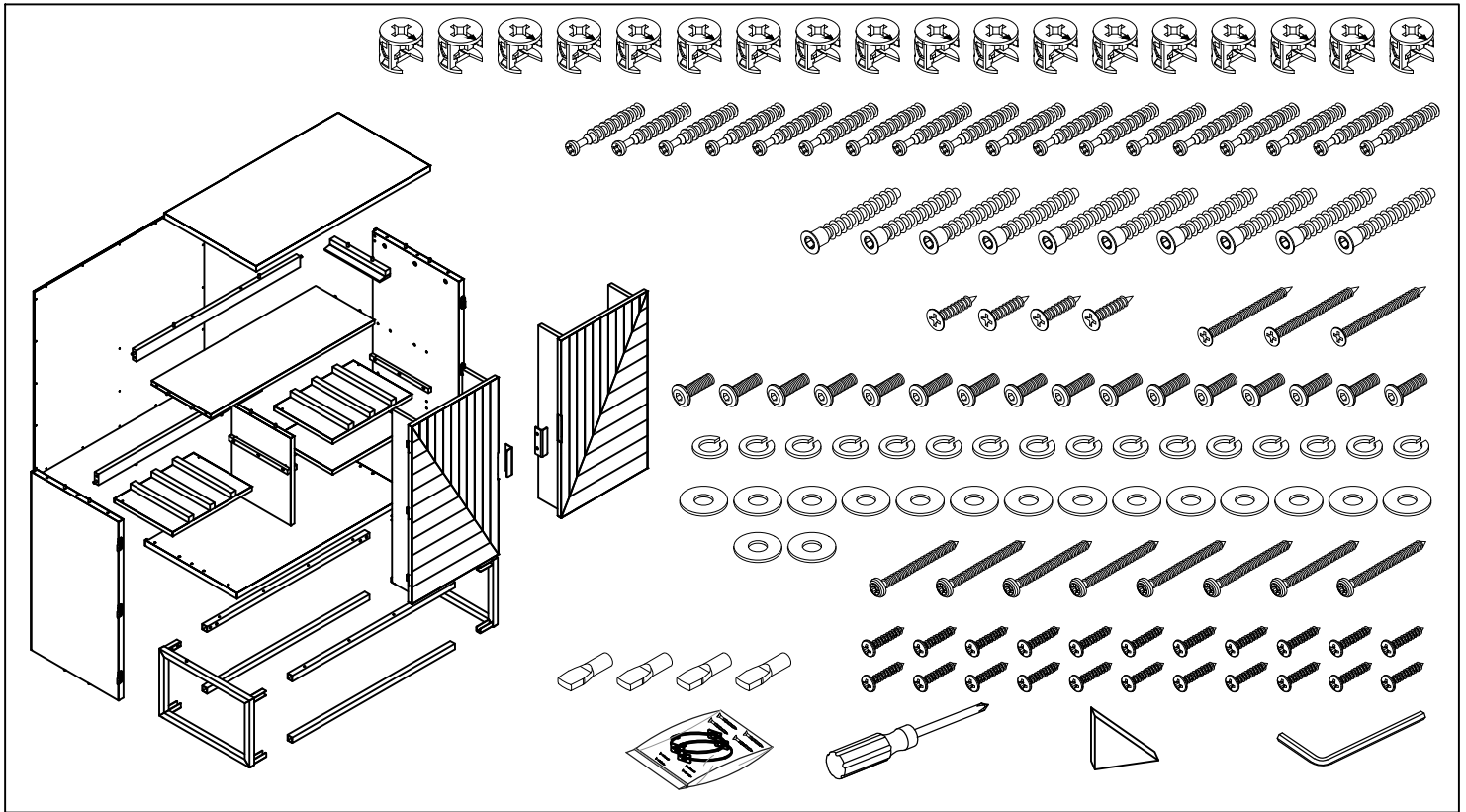
LABEL	PICTURE	Description	Q.TY
H-1		Cam lock Ø15 mm	18
H-2		Cam Screw	18
H-3		Screw M4 x 20 mm	4
H-4		Connecting Screw M7 x 50 mm	10
H-5		Wood Screw M4 x 50 mm	3
H-6		Allen Bolt M6 x 20 mm	16
H-7		Lock Washer Ø6 x Ø10.5 x T1 mm	16
H-8		Flat Washer Ø6 x Ø16 x T1 mm	16
H-9		Pan Head Screw M4 x 45 mm	8
H-10		Pan Head Screw M3.5 x 20 mm	22
H-11		Shelf Pin Ø6	4
H-12		Anti Tip-kit	1

# Tool List

LABEL	PICTURE	DESCRIPTION	QTY
T-1		Allen Key 4 x 110 x 30 mm	1
T-2		Triangle	1
T-3		Phillips Screwdriver (Not Included)	1

# Assembly Preparation

## Before Beginning:



- Unpack all hardware bags and components to ensure you have all parts.



- Read instructions, cover to cover.



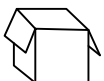
- Have 2 adults on hand for assembly.



- Do not assemble on flooring or carpet.



- Assemble on a clean non-marring surface (packing foam).



- Save all packaging until finished.



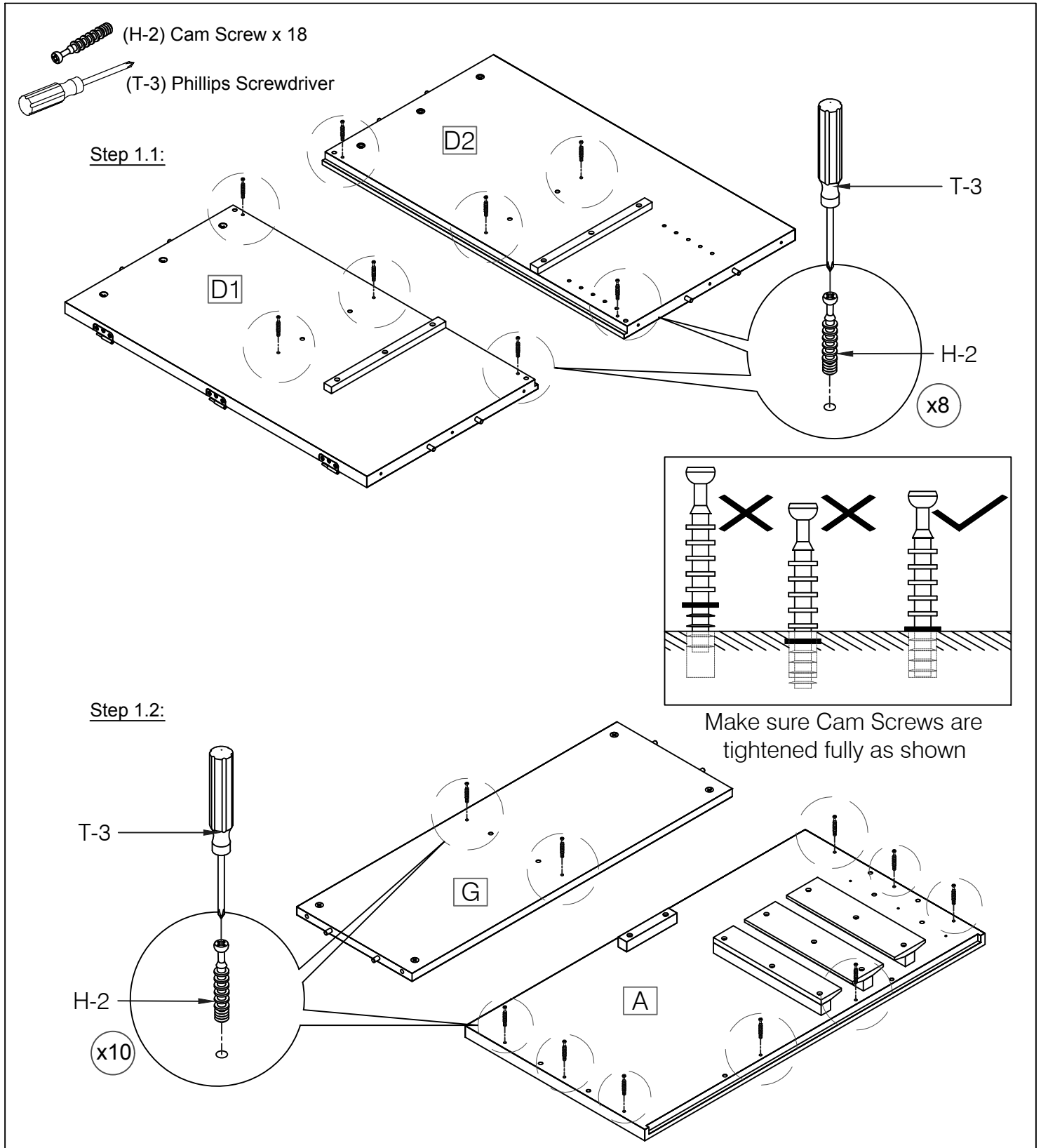
- In case of missing parts, please contact your nearest World Market store or call our customer service call center at call 1-877-967-5362.



- **WARNING:** Small parts are a choking hazard. Adult Supervision is required before, during, and after assembly.

# Assembly Steps

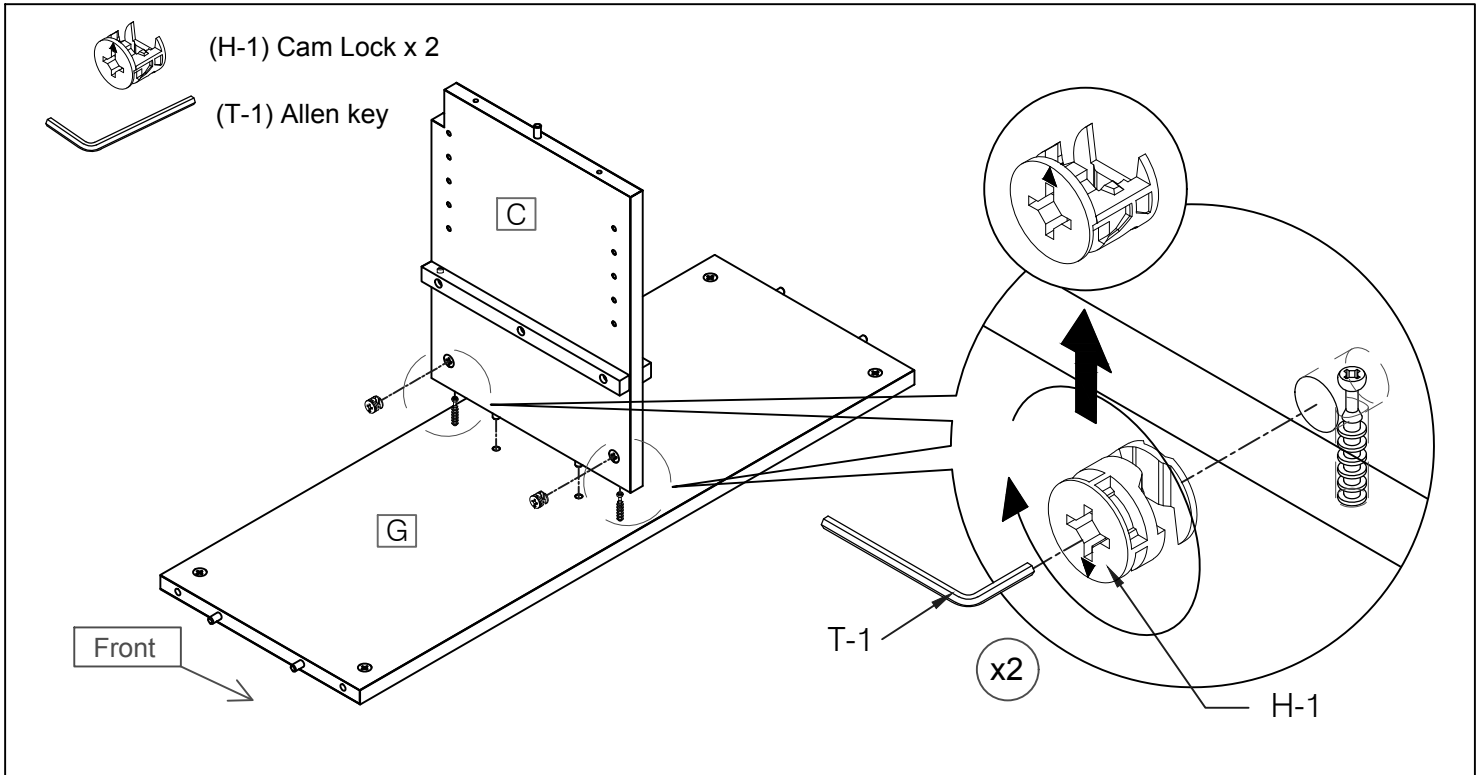
## Step 1



**Step 1.1:** Install Cam Screws (H-2) into the pre-drilled holes on Left Side Frame (D-1) and Right Side Frame (D-2) as shown. Fully tighten, but do not over tighten, using Phillips Screwdriver (T-3; not included). Reference diagram above.

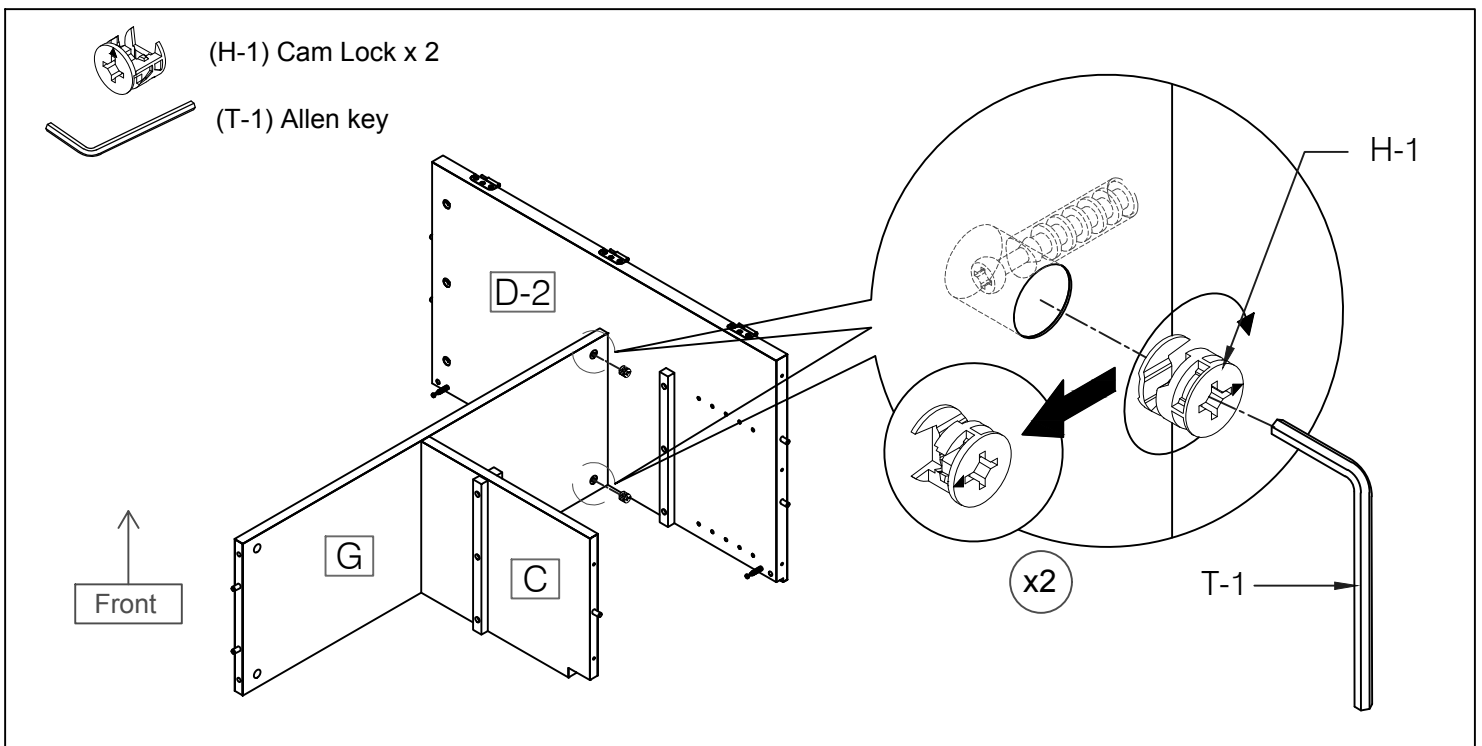
**Step 1.2:** Place Top Frame (A) and Fixed Shelf (G) upside down onto a padded, non-marring surface. Install Cam Screws (H-2) into the pre-drilled holes on Top Frame (A) and Fixed Shelf (G) as shown. Fully tighten, but do not over tighten, using Phillips Screwdriver (T-3; not included). Reference diagram above.

## Step 2



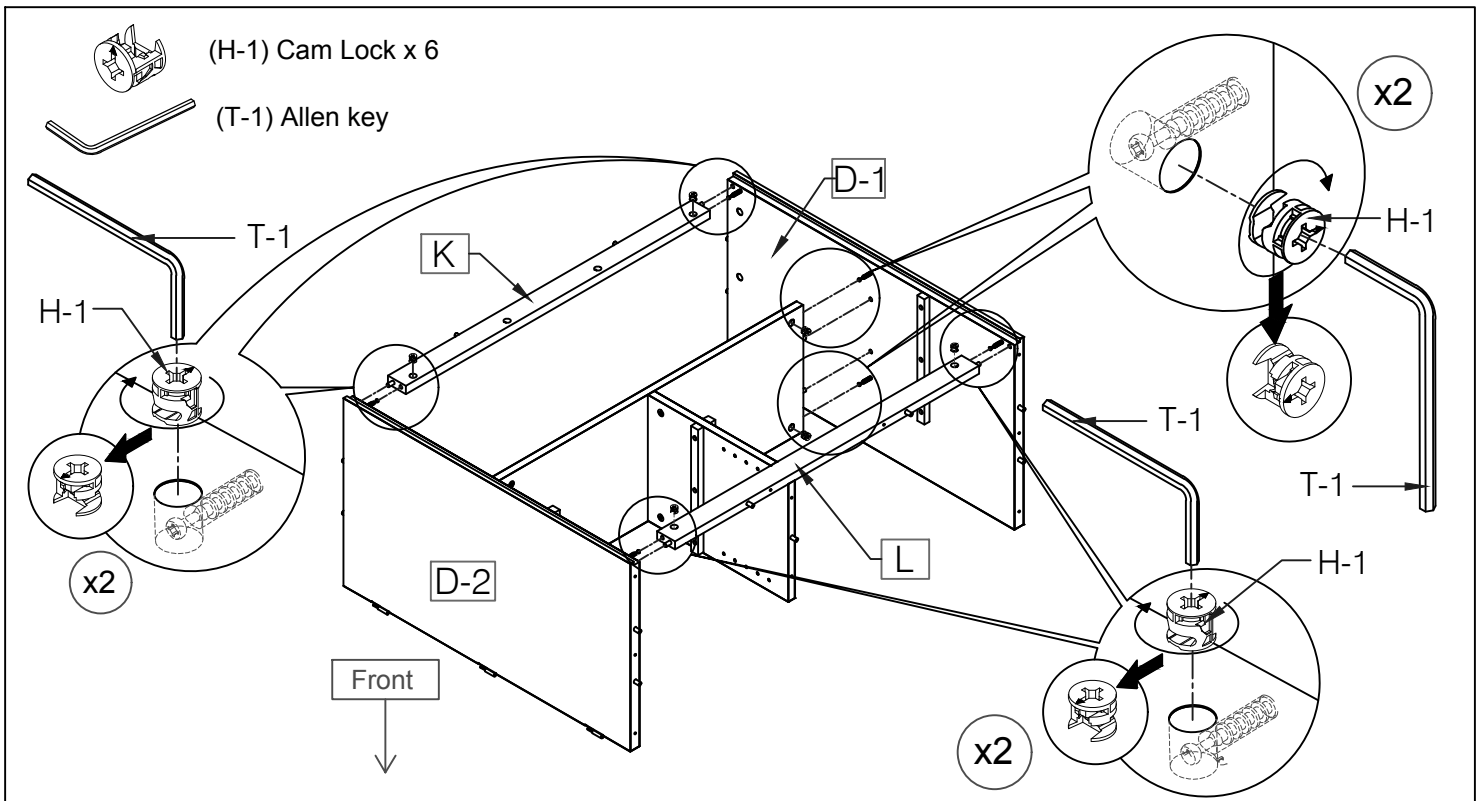
Place Fixed Shelf (G) onto a padded, non-marring surface, oriented on its side as shown. Install Cam Locks (H-1) into the corresponding holes on Divider Frame (C) as shown. Carefully lower Divider Frame (C) down, making sure the Cam Screws (H-2) installed on Fixed Shelf (G) fit inside of Divider Frame (C). Tighten all Cam Locks (H-1) using Allen Key (T-1) until they are snug.

## Step 3



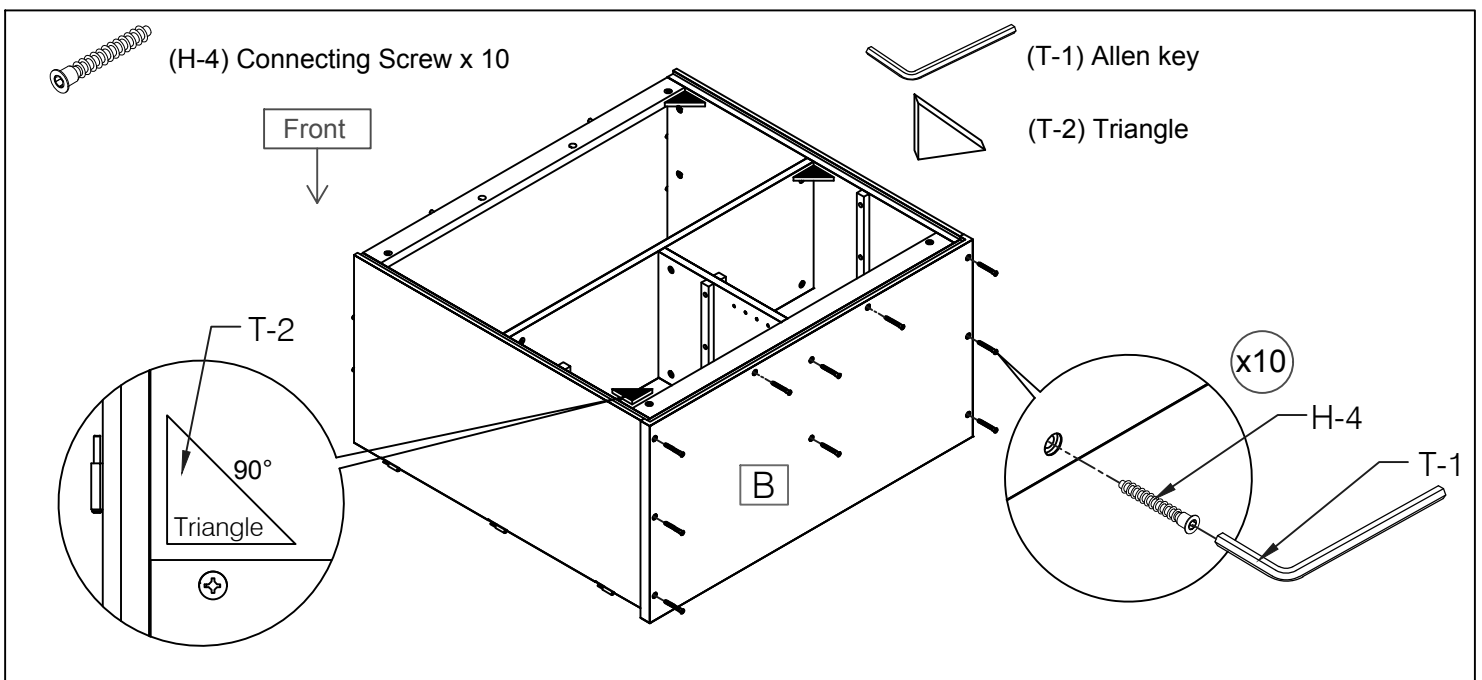
Install Cam Locks (H-1) into the corresponding holes on Fixed Shelf (G) as shown. Position and secure the Fixed Shelf (G) to Right Side Frame (D-2), making sure the Cam Screws (H-2) installed on Right Side Frame (D-2) fit inside of Fixed Shelf (G). Secure the Cam Locks (H-1) using Allen Key (T-2) until snug.

## Step 4



Using a second person to assist you, rotate the assembly from Step 3 so that the FRONT faces down towards the ground as illustrated. Install Cam Locks (H-1) into the corresponding holes on Fixed Shelf (G), Top Back Rail (K) and Bottom Back Rail (L) as shown. Next, secure the assembly from step 3 and Right Side Frame (D-2) to Top Back Rail (K) and Bottom Back Rail (L), making sure that the Cam Screws (H-2) installed face UP inside Fixed Shelf (G), Top Back Rail (K) and Bottom Back Rail (L). Secure the Cam Locks (H-1) using Allen Key (T-2) until snug.

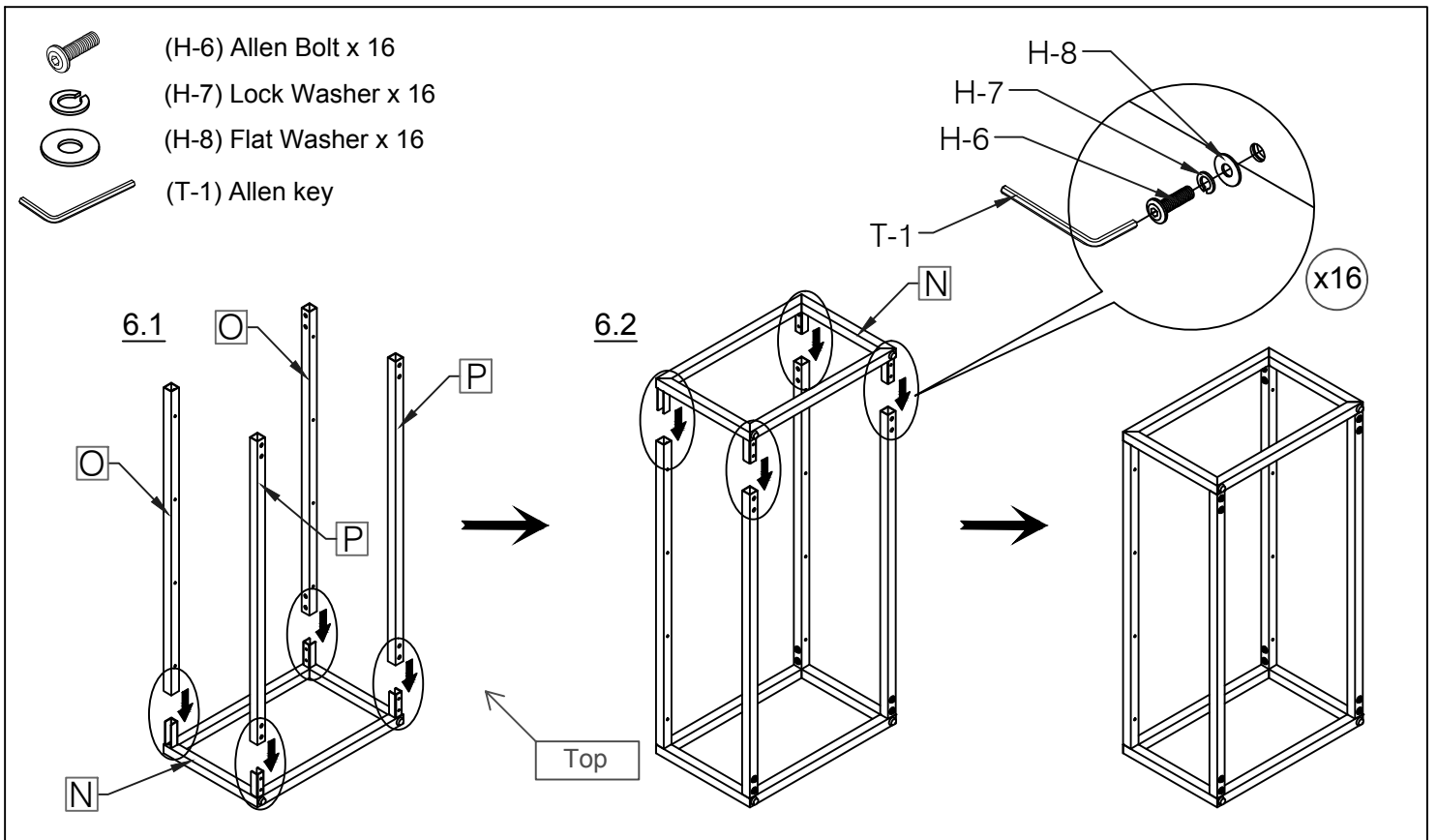
## Step 5



Install and secure Left Side Frame (D-1), Divider Frame (C) and Right Side Frame (D-2) to Bottom Frame (B) using Connecting Screws (H-4). Engage all screws before fully tightening using Allen Key (T-1). Check that the Caspian Bar is square (90 degree) using the Triangle (T-2).



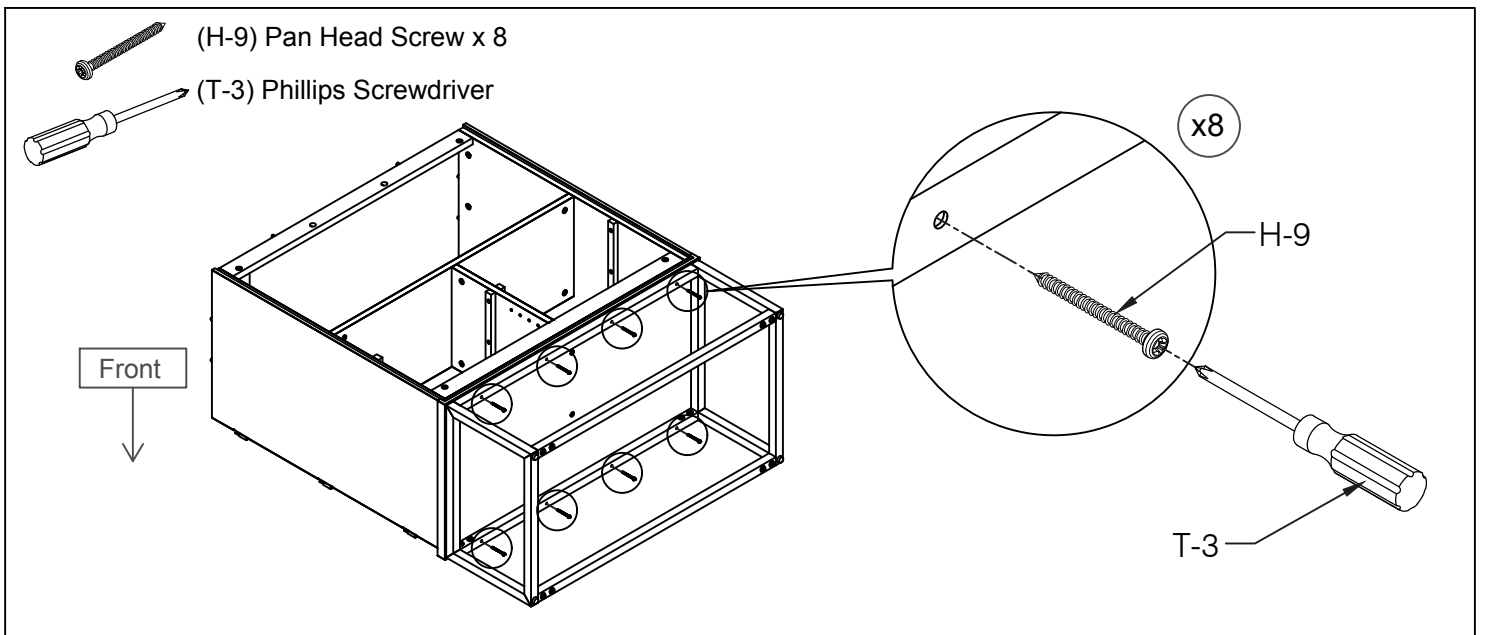
## Step 6



**Step 6.1:** Install and secure Base Top Frame (O) and Base Bottom Frame (P) to one of Base Side Frame (N) using the Short Allen Bolt (H-6), Lock Washer (H-7) and Flat Washer (H-8), stacking the hardware in the order shown. Engage all bolts by hand first, then tighten using an Allen Key (T-1).

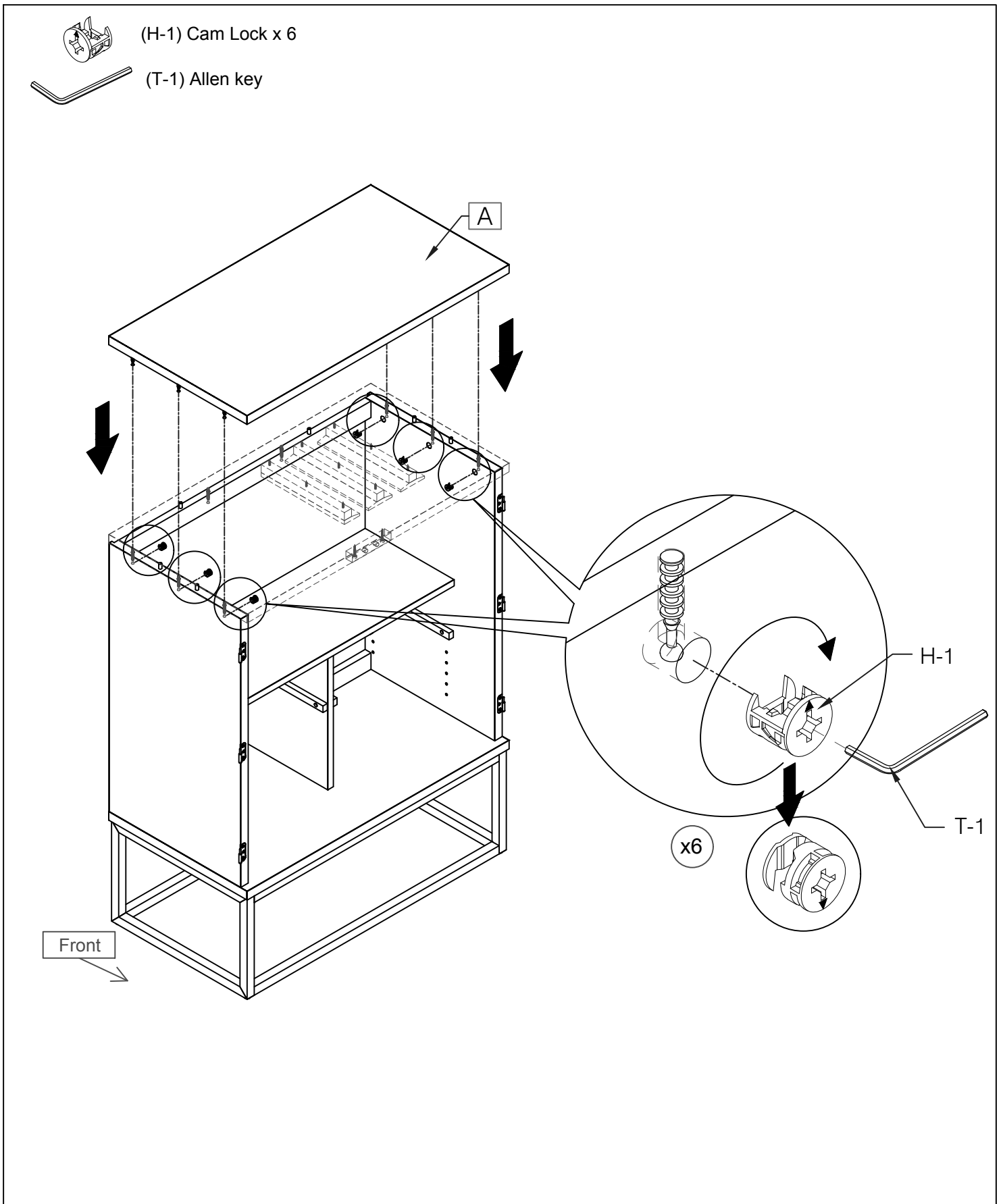
**Step 6.2:** Continue attaching the Base Frame assembly to the other Base Side Frame (N), performing assembly as step 6.1.

## Step 7



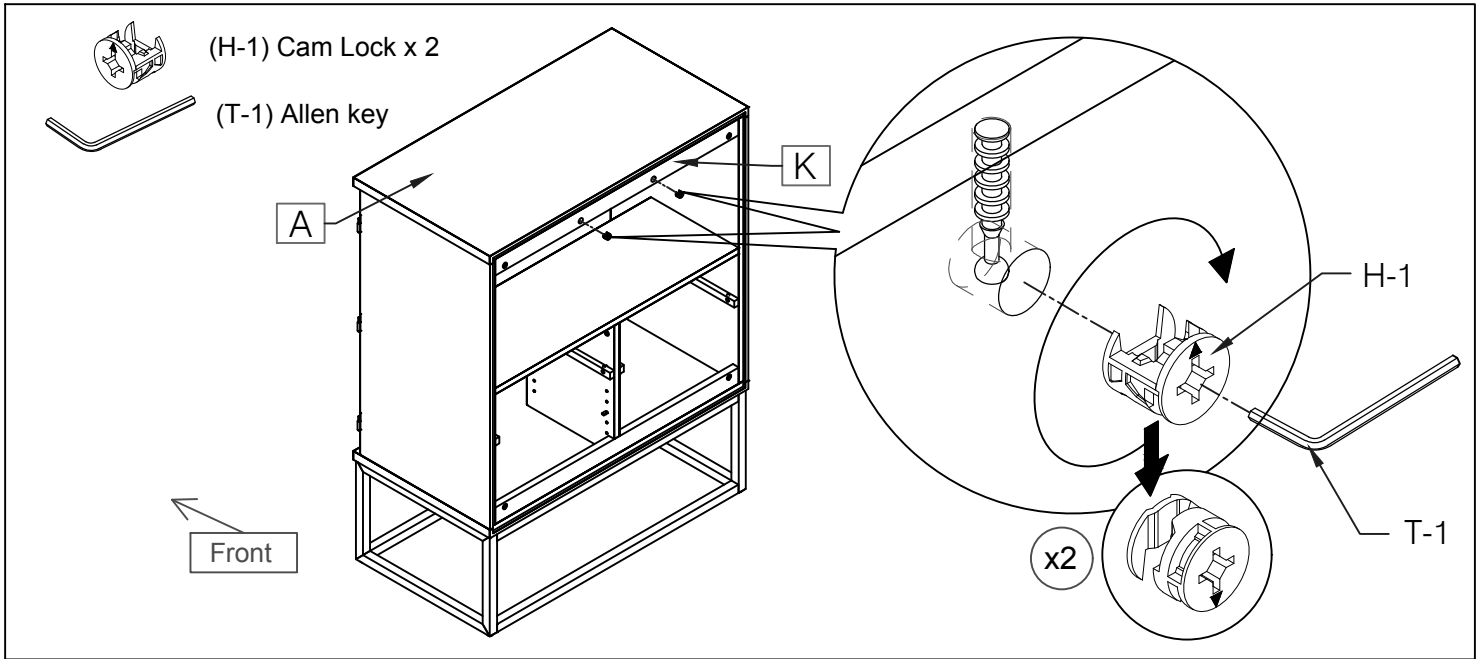
Attach the Leg Base Frame assembly (from Step 6) with the assembly from Step 5. Secure the frame using Pan Head Screws (H-9). Engage all screws by hand and then fully tighten them using Phillips Screwdriver (T-3) (not included).

# Step 8



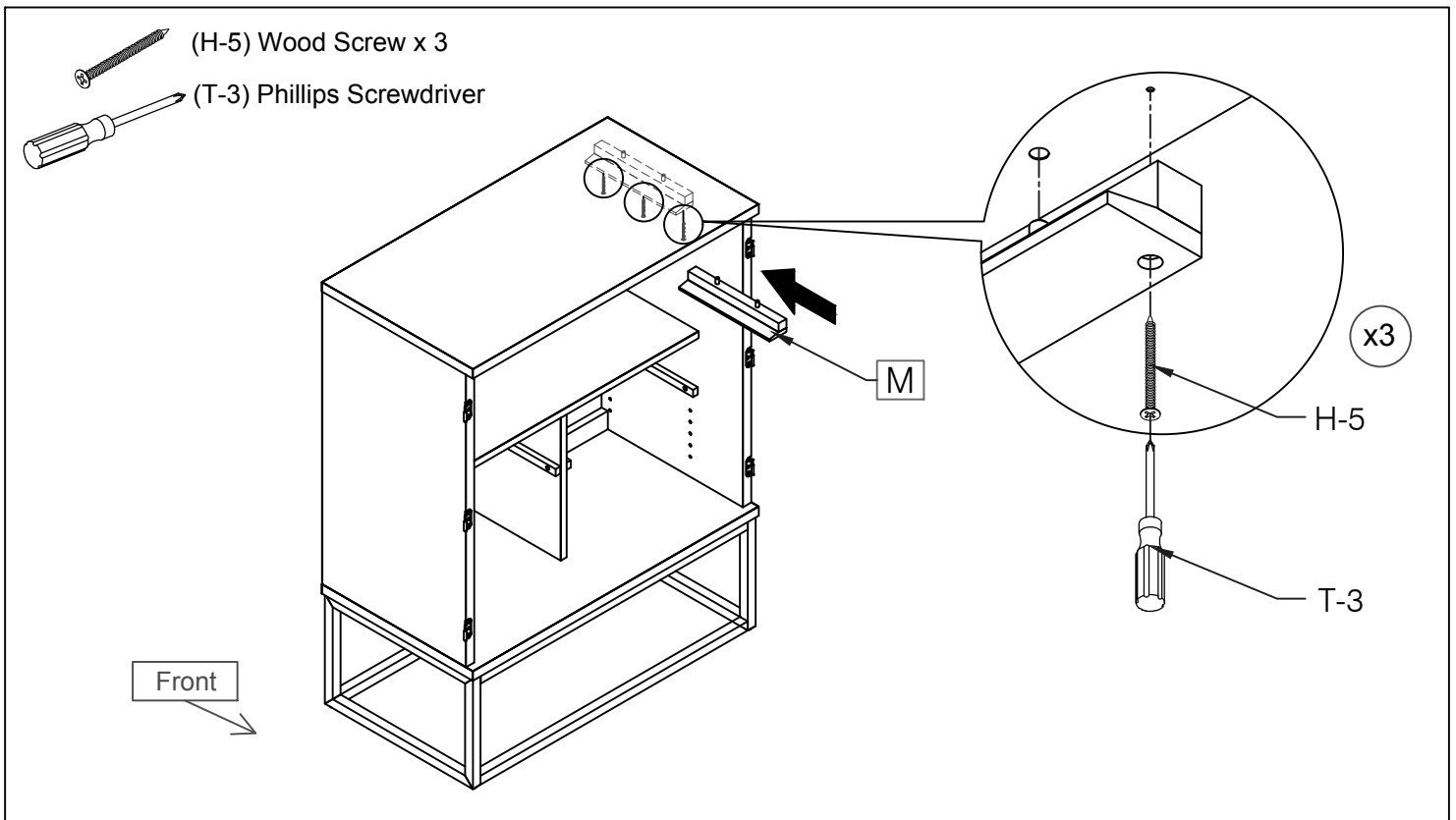
Using a second person to assist you, carefully turn the assembly from Step 7 upright. Install Cam Locks (H-1) into the corresponding holes on Left Side Frame (D-1) and Right Side Frame (D-2) as shown. Next, lower Top Frame (A) down onto the assembly, making sure that Cam Screws (H-2) installed on Top Frame (A) fit inside of Left Side Frame (D-1) and Right Side Frame (D-2). Tighten all Cam Locks (H-1) using Allen Key (T-1) until they are snug.

## Step 9



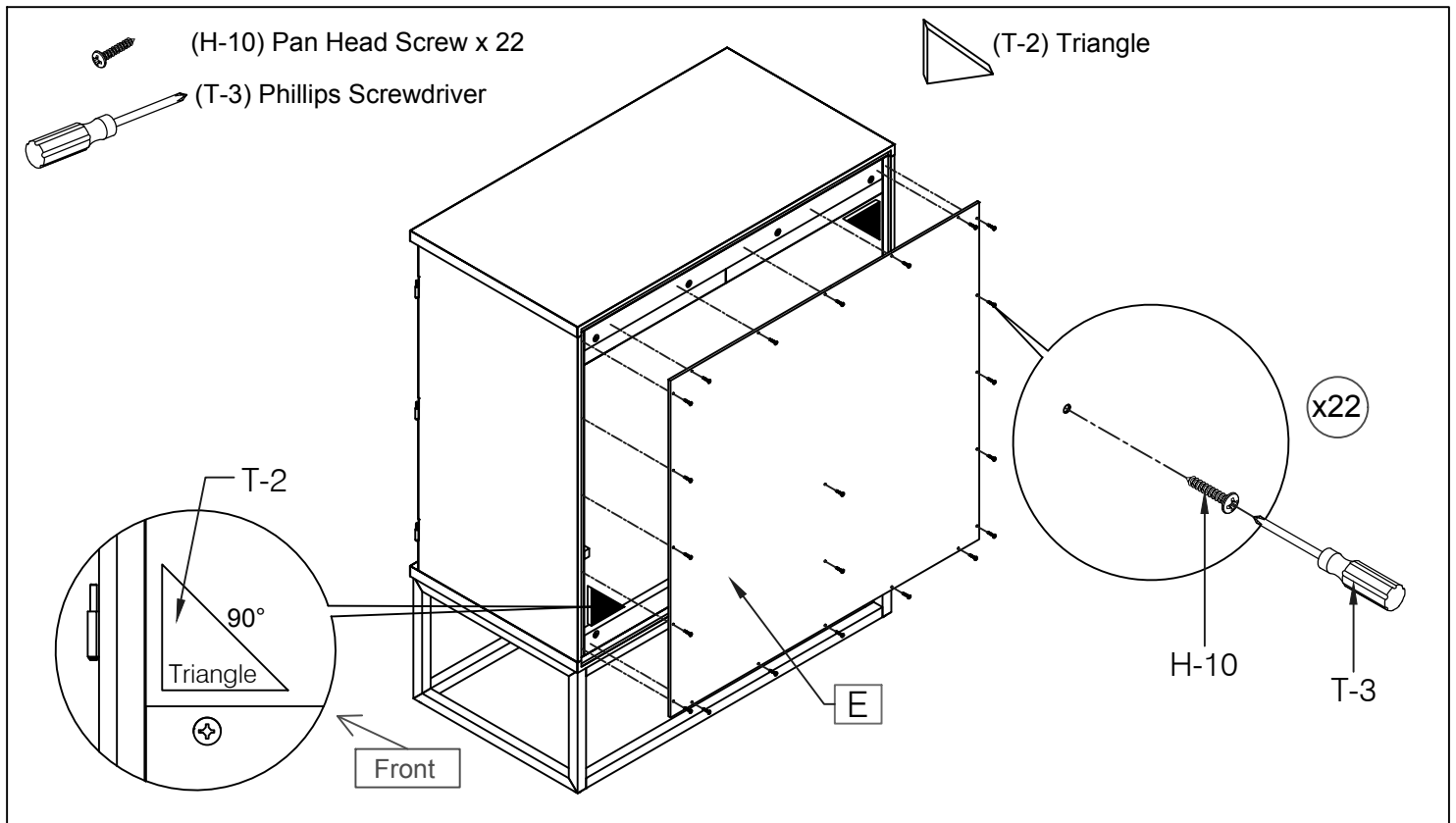
Install Cam Locks (H-1) into the corresponding holes on Top Back Rail (K) as shown. Secure the Top Back Rail (K) to Top Frame (A) with Cam Lock (H-1) using Allen Key (T-2) until snug.

## Step 10



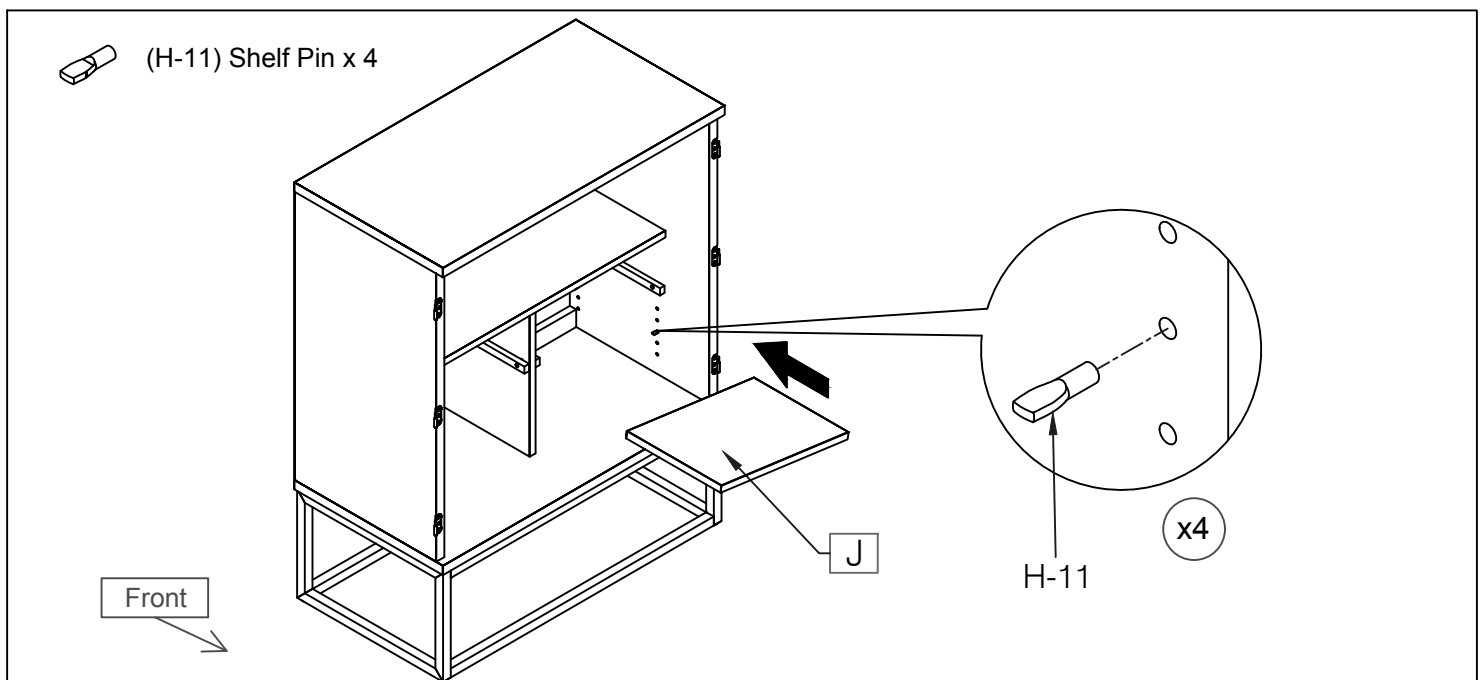
Position Glassware Hanging Rail (M) to the underside of Top Frame (A) as shown and secure it using Wood Screws (H-5) and a Phillips Screwdriver (T-3) (not included).  
**NOTE:** 3 other Glassware Hanging Rails come pre-installed on Top Frame (A).

## Step 11



Attach Back Panel (E) to the back of the bar assembly as shown. Secure the panel using Pan Head Screws (H-10). Tighten but do not over-tighten the screws using a Phillips Screwdriver (T-3) (not included). Check that the Caspian Bar is square (90 degree) using the Triangle (T-2).

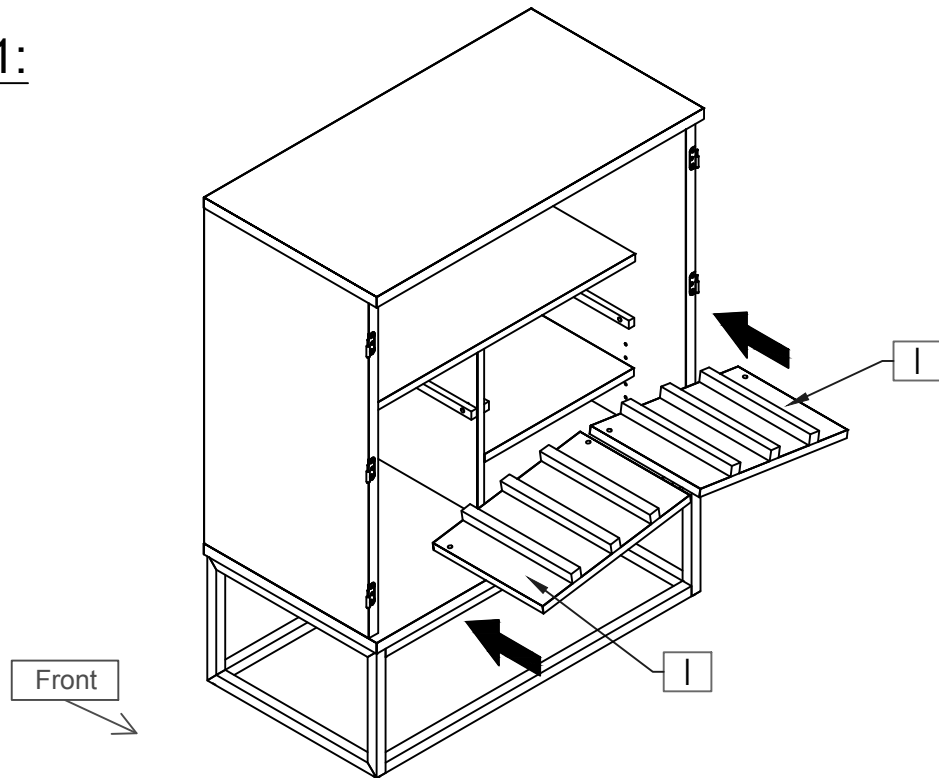
## Step 12



Insert Shelf Pins (H-11) into the desired hole locations on Right Side Frames (D-2) and Divider Frame (C). Insert Shelf into position as shown, making sure they rest evenly on each Shelf Pin (H-11).

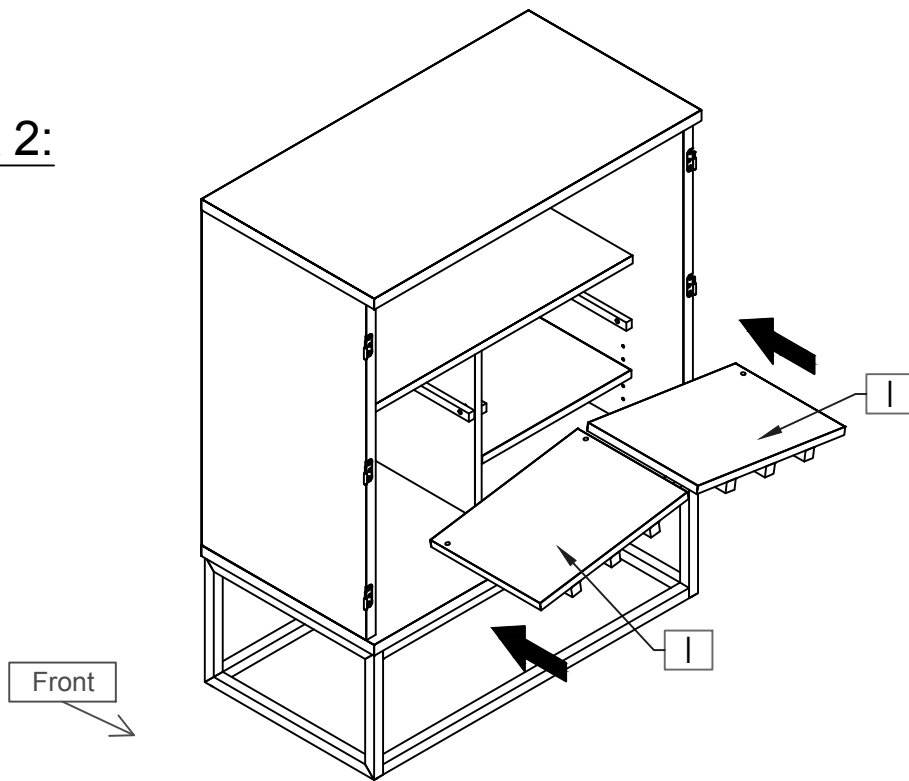
# Step 13

## Opt 1:



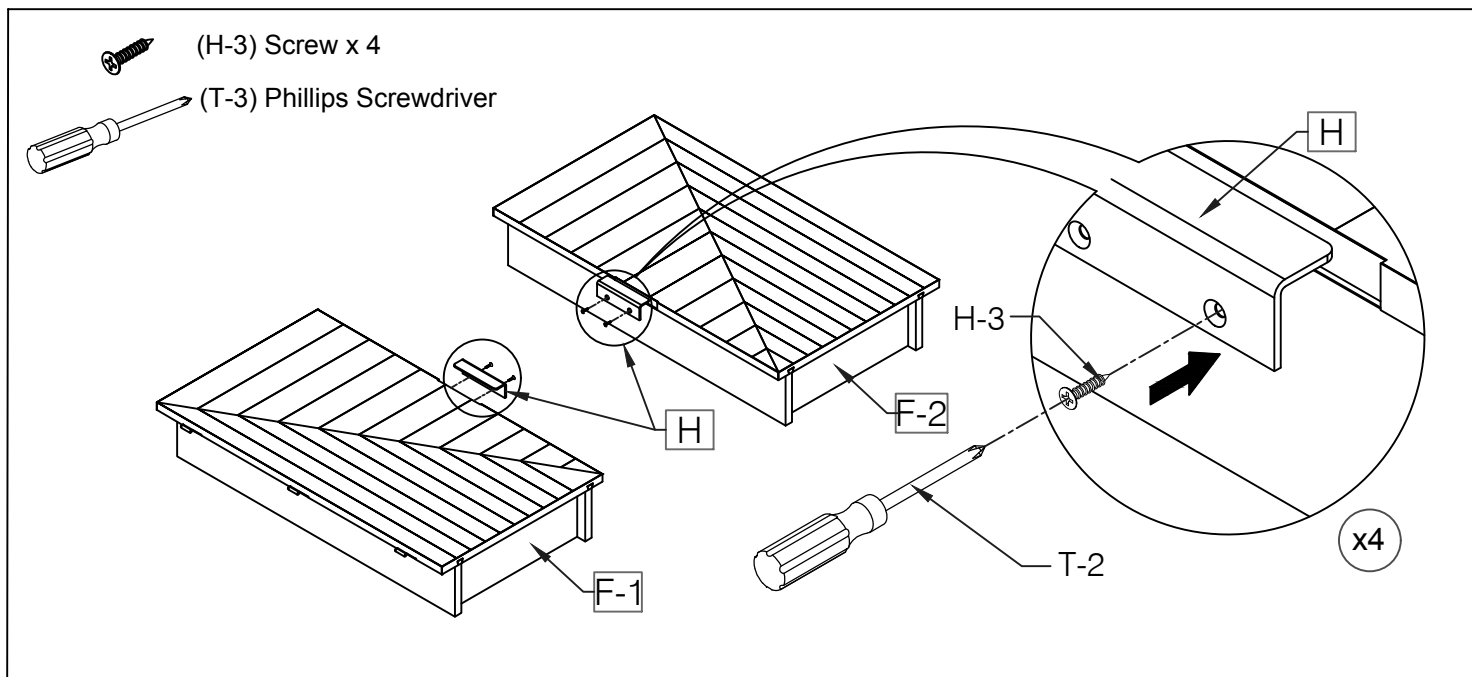
If you want to keep a bottle of wine, please set Removable Shelf (I) according to option 1.

## Opt 2:



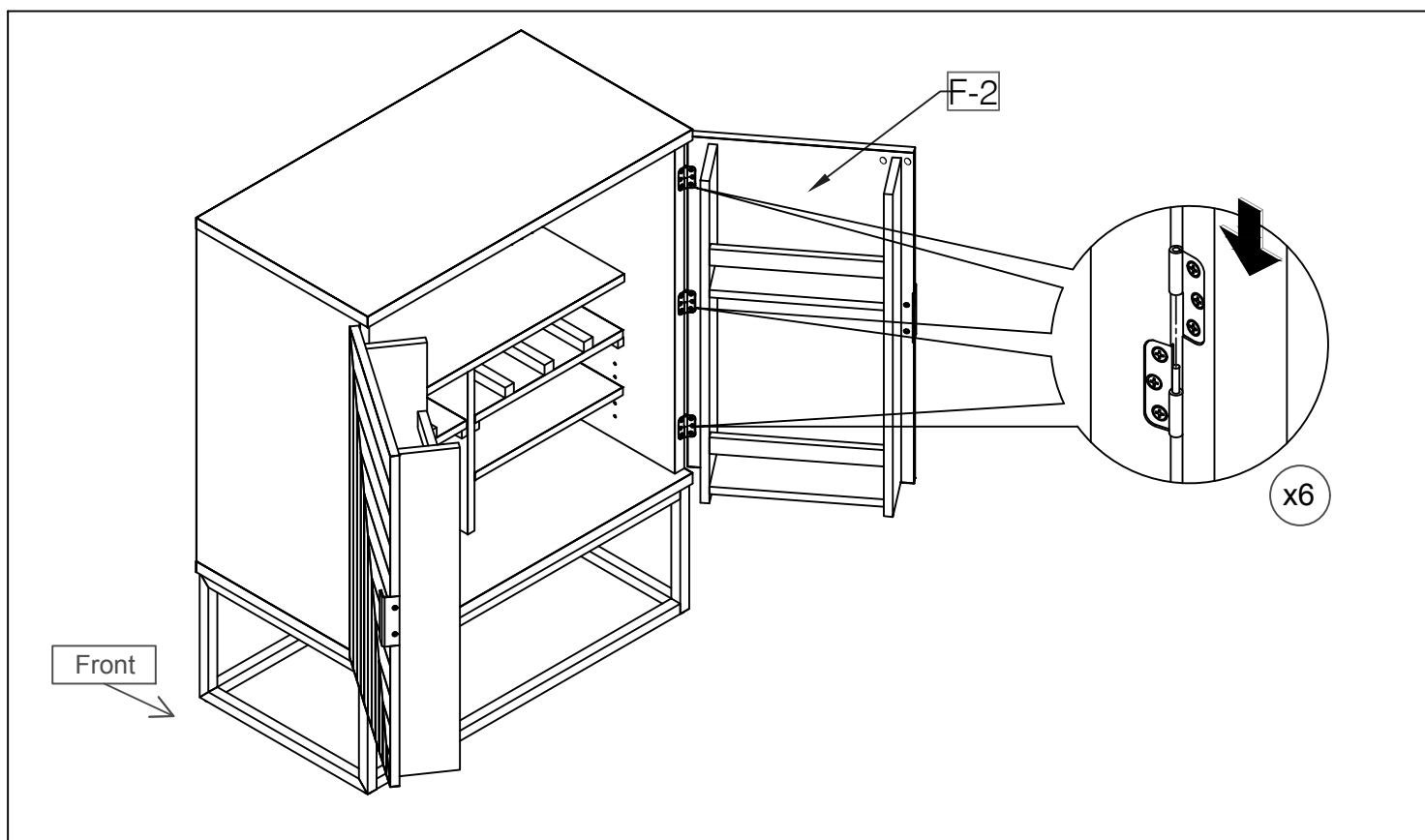
If you want to store other casual items, please set Removable Shelf (I) according to option 2.

## Step 14



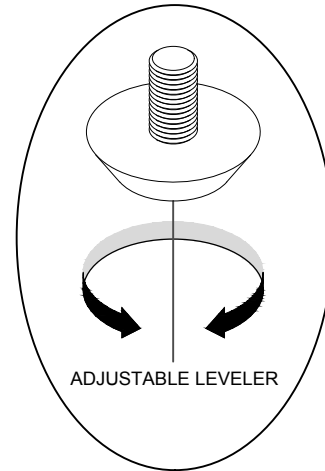
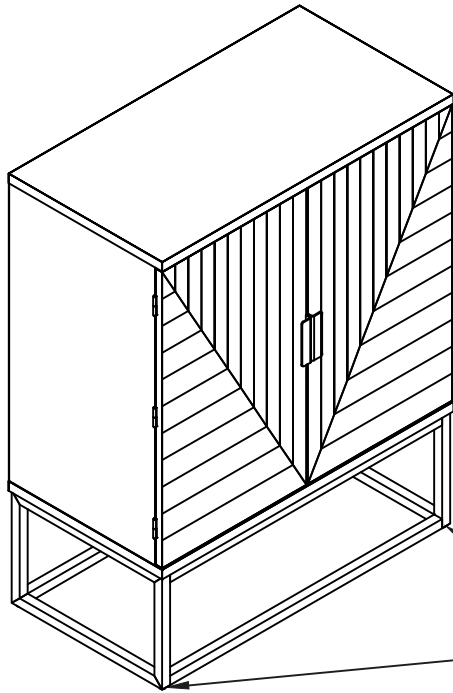
Install Handles (H) to Left Door Frame (F-1) and Right Door Frame (F-2) as shown and secure using Screws (H-3) and fully tighten with Phillips Screwdriver (T-3).

## Step 15



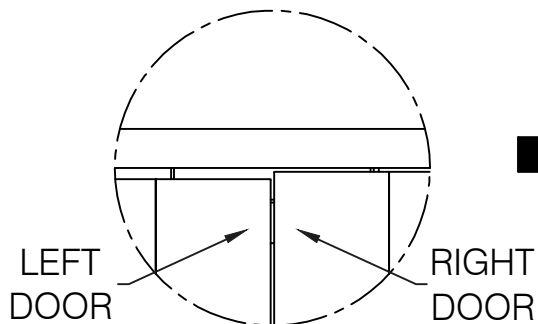
Slide the hinges of Left Door Frame (F-1) onto the receiving hinges of Left Side Frame (D-1) as shown. Next, slide the hinges of Right Door Frame (F-2) onto the receiving hinges of Right Side Frame (D-2).

## Step 16: Leveling Instruction

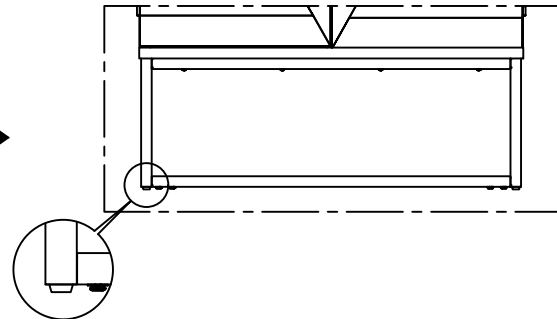


**NOTE: Levelers can be used for adjustment if needed.**

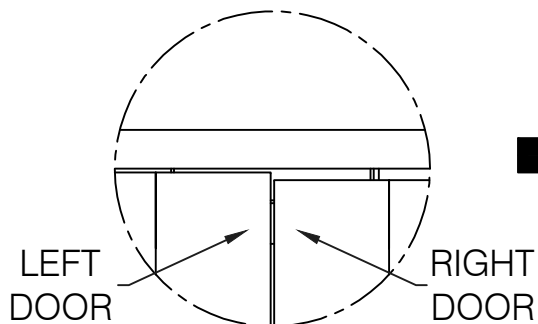
If RIGHT DOOR appears higher than the LEFT DOOR



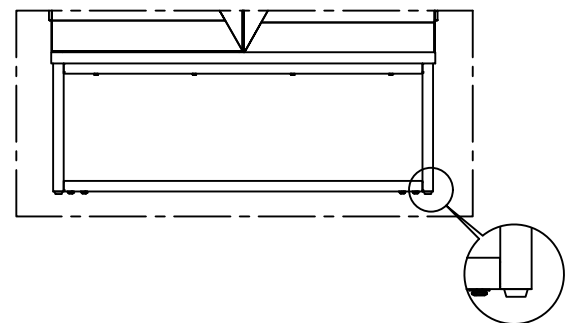
Adjust the FRONT LEFT leveler until doors are even.



If LEFT DOOR appears higher than the RIGHT DOOR



Adjust the FRONT RIGHT leveler until doors are even.



Ensure that all bolts have been fully tightened. Assembly is now complete and the Caspian Bar is ready for use.

\* Note: Once the cabinet is assembled and is level and square, the adjustable levelers can be used for further adjustment. First make sure all levelers rest evenly on the floor. If the RIGHT DOOR appears higher than the left door, adjust the LEFT FRONT leveler until the doors align. Adjust the RIGHT FRONT leveler if the LEFT DOOR is higher.

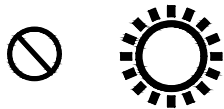
# Care & Maintenance



- Do not put hot items directly on furniture surface.



- Do not clean furniture with harsh cleansers or polish.



- Do not place furniture in direct sunlight.



- Do not place furniture near heating or cooling vents.



- Do not write on furniture without a padded barrier to protect the surface.



- Do not place furniture outside. For indoor use only.



- All products sold at World Market are not for commercial use and are intended for residential use only.

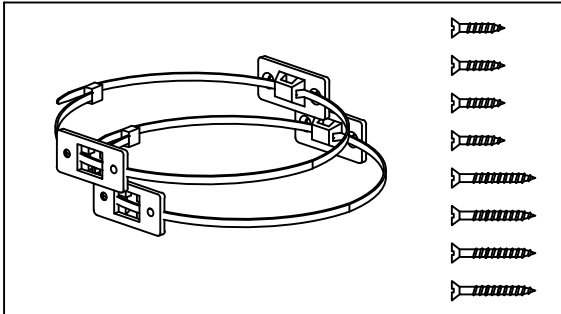


- Dust and pick-up spills using a clean, non-colored, lint-free, dry cloth.

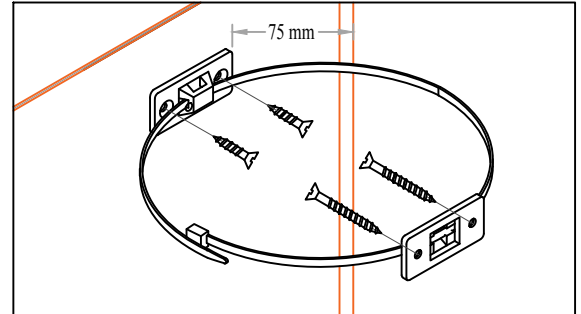


# Anti-Tip Measures




Warning - Children may be injured by tipping of furniture and the use of the Anti-Tip Kit is highly recommended. This Anti-Tip Kit is only a deterrent. It is not a substitute for proper adult supervision. Manufacturer and retailer assumes no liability for improper installation or excess loads placed on screws, brackets, or straps. When properly installed, this restraint provides protection against unexpected tipping of furniture. This Anti-Tip Kit MUST be installed into the wall using proper mounting hardware OR into a wall stud using appropriate screws. Position of the Anti-tip Kit depends on the product and the location of the wall studs. The hardware provided is not a comprehensive solution for all wall types. Be sure to consult a professional or your local hardware store to determine the hardware needed for your specific wall type (plaster, drywall, concrete, etc.,...).

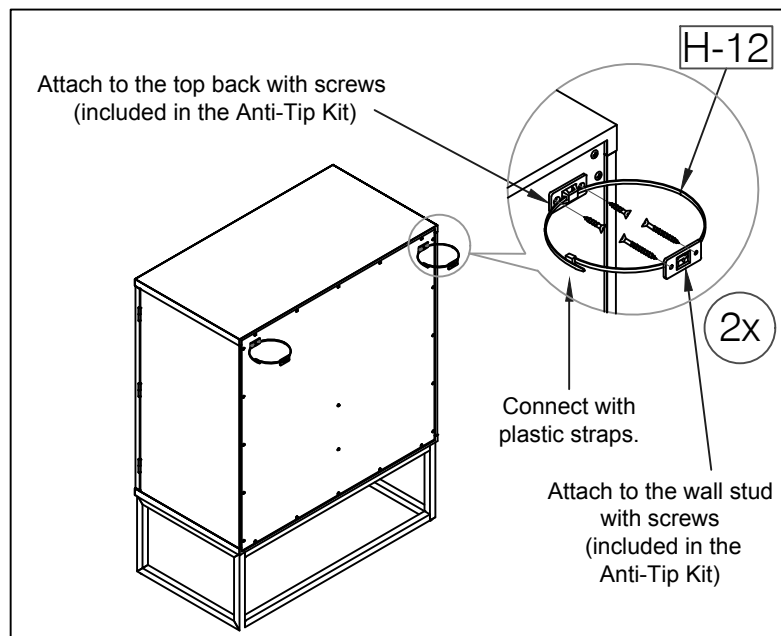


Anti-Tip kit contents



Anti-Tip kit installation

 <b>WARNING</b>	
	<p><b>Children have died from furniture tipover. To reduce the risk of furniture tipover:</b></p> <ul style="list-style-type: none"><li>• ALWAYS install tipover restraint provided.</li><li>• NEVER put a TV on this product.</li><li>• NEVER allow children to stand, climb or hang on drawers, doors, or shelves.</li><li>• NEVER open more than one drawer at a time.</li><li>• Place heaviest items in the lowest drawers.</li></ul> <p><b><i>This is a permanent label. Do not remove!</i></b></p>
	



# **WORLD MARKET LIMITED ONE-YEAR WARRANTY – Indoor Furniture**

For your customer satisfaction, this product carries a LIMITED ONE-YEAR WARRANTY from the date of purchase. This limited warranty only applies to World Market brand furniture, and not to other furniture brands sold on World Market's website.

Where applicable, the limited warranty provides coverage for:

1. **Manufacturing, Material and Workmanship Defects:** Includes defects related to core frame/structure substrates (wood and metal); cracking, splitting, or complete breakage of hardwood, plywood or medium density fiberboard (MDF); cracking, splitting or lifting of wood veneer or laminated top surfaces caused by process failure; broken welds or improperly coated metal frame components (powder coating or painted); fabric or leather material defects including tears, misprints, fraying, crease marks, skip stitches or open seams; support webbing material and sinuous spring defects or damage, including method of attachment to frame; and other component failures that are a direct result of manufacturing or workmanship defects.
2. **Cushions & Cushions with Enclosed Steel Pocket Coils:** Failed or ruptured steel pocket coils enclosed inside of seat cushions, or loss of resiliency from a material breakdown of foam or fiber filling, which should not be confused with softening or settling during normal use.
3. **Leather:** Splitting or cracking of leather material. NOTE: The warranty does NOT cover natural hide markings, variations in the leather color or grain due to the authentic natural properties of processed cowhide leather.
4. **Bonded Leather or Bi-cast Leather:** Separation of the polyurethane coating, peeling or cracking of the inner layer or at the bonded seam edges (bi-cast straps).
5. **Furniture Components (Hardware & Mechanisms):** Includes defects to pre-installed components or hardware provided to the customer for assembly such as office chair hydraulic lifts, lift mechanisms, metal bases and casters, swivel plate mechanisms; for drawers, metal glides, handles/knobs; for doors, hinges, magnetic latches; and other components such as bent or stripped threaded leg posts and adjustable levelers. For missing, damaged, corroded, or misplaced hardware components such as bolts or washers, please contact Customer Service at: 877-967-5362.

## **This LIMITED ONE-YEAR WARRANTY does NOT cover:**

1. Damage due to mishandling during transportation from store or transportation without original protective packaging.
2. Abuse, negligence (product misuse) or wear and tear that may result in or from:
  - a. **Wood & Veneer:** Mishandling, exposure to moisture, peeling or discoloration caused by exposure to moisture or excessive sunlight, heat; splintered, dented or nicked panels, legs or component edges or paint/finish blemishes; or treatment with corrosive chemicals (dyes, inks, paints or harsh cleaning products).
  - b. **Fabric & Leather (Including Bonded or Bi-Cast Leathers):** cuts, punctures, tears, burns, pet damage, or treatment with corrosive chemicals (dyes, inks, paints or harsh cleaning products), exposure to direct sunlight, fire, high heat, water, or any bright light source (natural or artificial) that may cause splitting, peeling or flaking with time.
  - c. **Foam (Cushions):** Flattening, relaxing or settling/softening of foam components that comes with normal use.
  - d. **Hardware Components:** improper installation or misuse/substitution of hardware components not defined in the Assembly Instructions for the product (if applicable)
3. Damage due to environmental exposure to direct sunlight, fire, high heat, water or extreme humidity, any bright light source (natural or artificial), or any environment that the product is not intended for.
4. This warranty is applicable for indoor furniture products purchased for residential use only.

For additional information on returns, please visit: <https://www.worldmarket.com/category/customer-service/returns.do>

**All products sold at World Market are NOT FOR COMMERCIAL USE and are intended for residential use only. Products purchased for commercial use will VOID all warranty provisions as listed above.**

Any claims under this LIMITED ONE-YEAR WARRANTY are valid and applicable only as to the original purchaser and must be accompanied by proof of purchase. Warranty claims should be submitted to a World Market store or through World Market Customer Service Call Center, Toll Free at 877-967-5362.

For valid warranty claims, World Market will repair or replace the product, or offer a full or partial credit, in the sole discretion of World Market. This LIMITED ONE-YEAR WARRANTY gives you specific legal rights and you may also have other rights which vary from state to state.